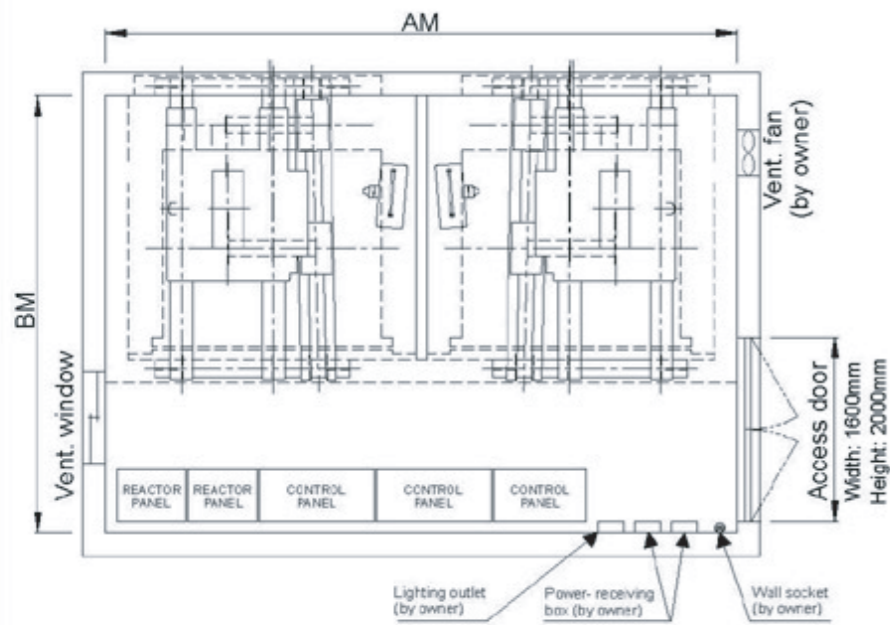
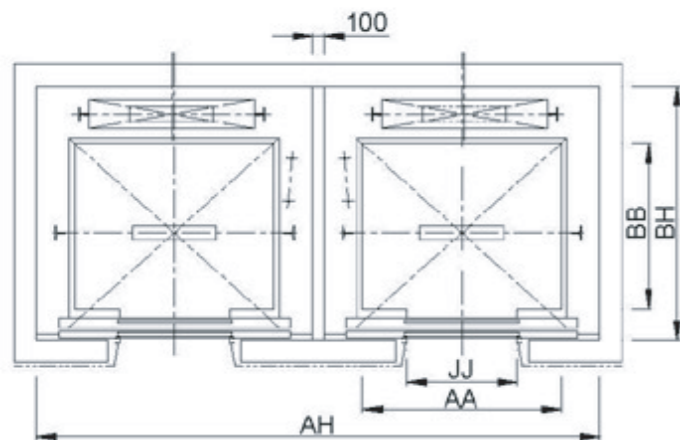


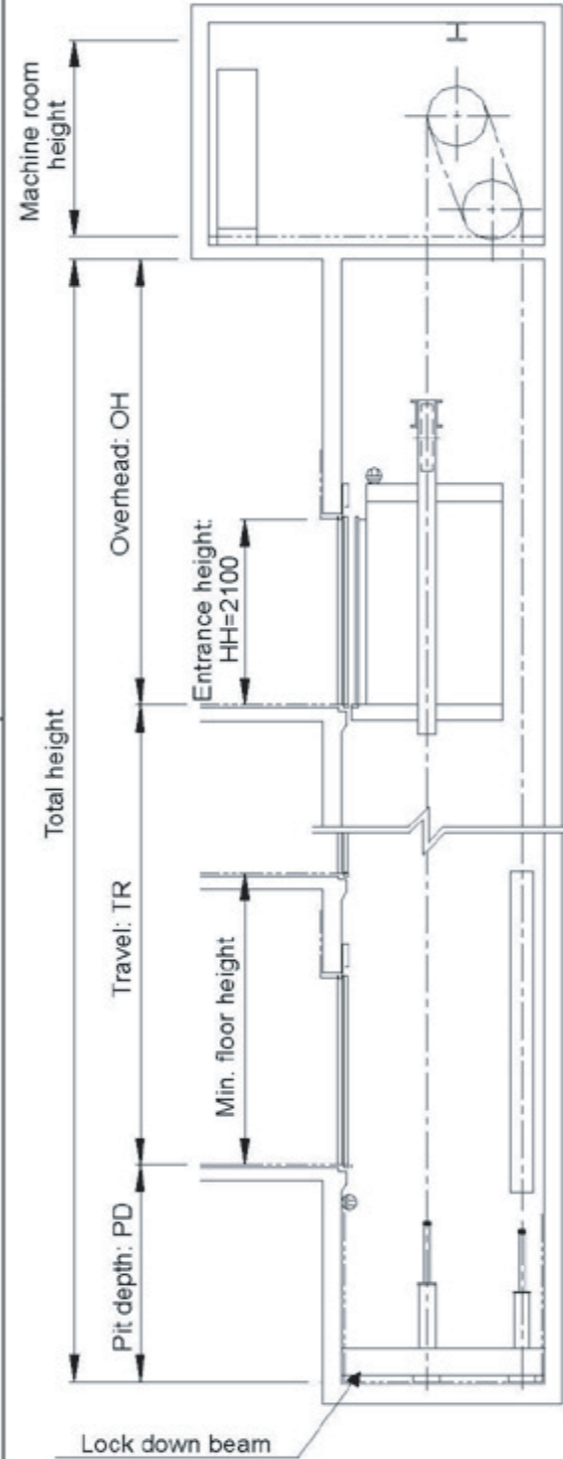
Hoistway Plan



Machine Room Plan



Hoistway Section



Capacity, Speed, Door Type, CWT position, Roping, Car Interior, Hoistway Dimensions & Machine Room Dimensions

[EN81-1, GB code]

Code number	Number of persons *1	Rated capacity (kg)	Rated speed (m/sec)	Door Type *2	CWT position	Roping *3	Car internal dimensions (mm) AA x BB	Entrance Width (mm) JJ	Minimum hoistway dimensions (mm) AH x BH *4/5		Minimum machine room dimensions (mm) AM x BM *4	
									TR≤150m	50m<TR≤200m	TR≤150m	150m<TR≤200m
P16-CO	16	1200	5.0 6.0	CO	Rear	2:1	1800 x 1450	1000	5100 x 2250		5500 x 3750	
P18-CO	18	1350	5.0 6.0			1:1			2000 x 1500	1100	5500 x 2300	
P21-CO	21	1600	5.0 6.0			2:1	2000 x 1700	1100			5500 x 2500	5500 x 2550
P24-CO	24	1800	5.0 6.0			1:1			2100 x 1800	5700 x 2650	5700 x 2650	5900 x 4150

Specifications

	Speed	5.0 m/sec		6.0 m/sec	
		TR≤150	150<TR≤200	TR≤150	150<TR≤200
Overhead: OH (mm) *4	Cap. 1150~1350kg	6800	7200	6800	7200
	Cap. 1600~1800 kg	6650	7050	6650	7050
Pit depth: PD (mm) *4		3950	4250	3950	4250
Minimum machine room height (mm)	Cap. 1150~1600 kg	2300			
	Cap. 1800 kg	2300	2800	2300	2800
Maximum number of stops		64			
Maximum travel (mm)		200			
Minimum floor height (mm) *6		2600*			

Note:

- *1: Rated capacity is calculated at 75kg per person, as required by the EN81-1 and GB code.
- *2: CO: 2 panel center opening doors.
- *3: The sketches on the left show the case under 2:1 roping.
- *4: Minimum hoistway dimensions and machine room dimensions (AH, BH, AM, BM, PD and OH) shown in the table are applied to standard specifications under 2-unit installation only.
- *5: Minimum hoistway dimensions (AH & BH) shown in the table are after waterproofing of pit and do not include plumb tolerance.
- *6: The minimum floor height 2600mm is for steel structure only. It may become more than 2600mm when car arrival chime is required at each hall (AECH), or depending on sill support height. However, the minimum floor height for RCC is 2800mm with standard type of sill support.

Operation system

1-car selective collective (1C-2BC) Standard	Standard
2 to 4-car group control ΣAI-22 system	Optional
3 to 8-car group control ΣAI-2200 system	Optional

Legal Compliance

GPM-III is available in case of other regulations/codes; Japan, Malaysia, Singapore, ASME.